

4

5

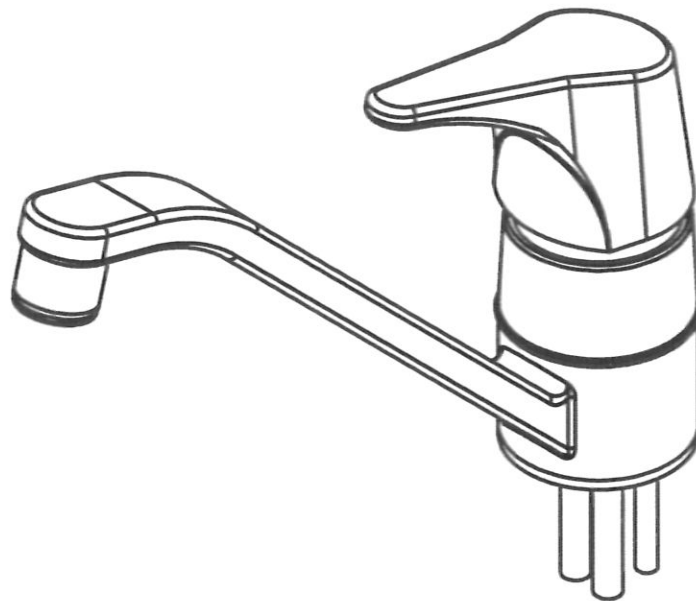
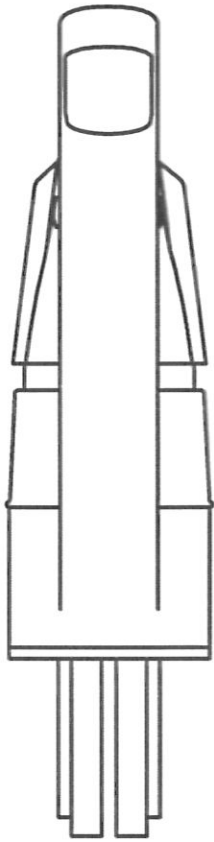
6

A

B

C

D



| | | | | | | |
|--------|----------|--|---|--------------|----------|------------|
| | | | Blandingsbatteri Oras Vega | Konstr. | | |
| | | | | Tegn. | tk | 13-10-2005 |
| | | | | Godk. | | |
| | | | ROPOX Better ways to better days Ringstedgade 221, 4700 Næstved Tlf.: 55750500 Fax.: 55750550 | Tegning nr.: | | |
| Maler: | m. 25/25 | | | | 97001304 | |
| Skala: | | | | | | |

4

5

6

1